

DC1500V High Power String Inverter



High-efficiency

12 MPPTs
High DC/AC ratio up to 1.5
Suitable for high-power bifacial PV panels
Highly-precise intelligent string detection
Max. efficiency 99.01%, european efficiency 98.52%



Reliability

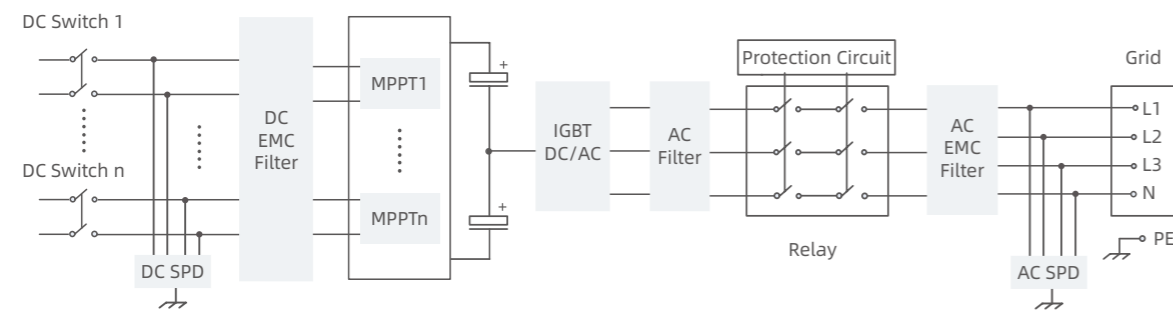
IP66
Built-in AC and DC SPD
Compatible in harsh environmental conditions
Intelligent fan cooling, low temperature rising and long lifespan



User-friendliness

IV diagnosis
Night SVG function
Support DC 2 in 1 connection
PLC communication, save construction cost

Topological Graph



Technical Parameters

	Model	hopeSunHV 250KTL	
DC Input	Max. DC Voltage	1500V	
	MPPT Voltage Range	500V~1500V	
	MPPT Voltage Range Full Load	820V~1320V	
	Max. Input Current of Each MPPT	30A	
	Max. short-circuit current	50A	
	Number of DC Inputs / MPPT	24 / 12	
AC Output	AC Output Power	225kW@50°C / 235kW@40°C / 250kW@30°C	
	Max. Active Power (cosθ=1)	250kW	
	Rated Output Voltage	800V	
	Operating Voltage Range	680V~800V	
	Max. Output Current	180.4A	
	Rated Grid Frequency	50Hz / 60Hz	
	Power Factor	0.8 (Leading)~0.8 (Lagging)	
	THD	<3%	
	System Parameters	Max. Efficiency	99.01% / 98.52%
		MPPT Tracking Efficiency	Steady>99.9%, Dynamic>99.0%
AC/DC SPD		Yes	
Anti-Islanding Protection		Yes	
Insulation Impedance Detection		Yes	
Residual Leakage Current Detection		Yes	
PV String Fault Detection		Yes	
Output Overcurrent Protection		Yes	
Protection Degree		IP66	
Operating Temperature Range		-25°C~+60°C	
Cooling System		Smart Air Cooling	
Standby Power Consumption		<5W	
Topology		Transformerless	
Operating Altitude		4000m (Derating above 3000m)	
Display		LED Indicator	
Communication		RS485 / PLC	
DC & AC Terminator		DC:MC4 AC:OT/ DT	
Certification		IEC61683 / IEC62109 / IEC61000 / IEC62116 / IEC61727 / CQC / CGC	
Mechanical Parameters	Dimensions (W*H*D)	1000*727*317mm	
	Weight	≤105kg	